

### TPD-8424E 3W UHF (440-470 MHz)

The TPD-8000E Series of radios combine exceptional two-way radio functionality with Analog and DMR Digital technology in a compact size.



- 512 Channels (16 Zones, 32 Ch. per Zone)
- 3W Digital, 2W Analog RF Output Power
- Direct or Repeater TDMA Tier II Mode
- 2200 mAh Li-Ion Battery
- 1 Watt Audio Output
- Battery Saver
- CTCSS/DCS (Analog Mode)
- Multiple Scan Modes
- Direct Call contact list (54 Contacts)
- Remote Stun/Revive
- One-Touch Text
- Stores 10 Messages (Up to 40 Characters Each)
- VOX
- Voice Recording & Playback
- Programmable Buttons
- Etiquette (Vibrate) Mode
- AES 256-bit Encryption
- IP54 Certified



# SLEEK, STYLISH & POWERFUL DIGITAL RADIOS

**Maxon's TPD-8000E Series** radios are the best choice for any application.

The TPD-8000E provides a powerful performance in a compact size.

The many features make this multi-functioning device perfect for education, hotel & restaurant, management, or industrial use.



## TEXT



Send and receive messages up to 40 characters

## CHARGE



Easily charges with USB via radio or dual-slot desktop charger

## LAMP



Built-in LED flashlight to assist in the dark

## ONE TOUCH



Send a text message with the simple push of one button

## RECORD



Recording capability allows conversations to be recorded for playback

## AUDIO



Large speaker provides high quality audio even in noisy situations



## Dual Modes : ANALOG / DIGITAL

The TPD-8000E Series operates in either analog or digital DMR Tier2 mode ensuring a smooth analog-to-digital transition. It is packed w/digital radio features such as One Touch SMS Texting, Contact lists for Private and Group Calls, Flashlight, Voice Record, and built-in AES 256bit encryption to ensure your communications are private.

## Compact Design

TPD-8000E provides everything you need in a digital radio all while fitting in the palm of your hand.

## Strong And Clear Audio

The TPD-8000E keeps communication clear even in high levels of noise or at the edge of coverage area. Hear a crisp, clear voice from near or far. In a busy restaurant, retail store, or school you'll get a clear message every time.

## Durable: ALL DAY

TPD-8000E has an aluminum metal frame body that stands up to tough use. The 2200 mAh Li-Ion battery provides use for up to 14 hours\*, enough to last your entire work day. Perfect for small hotels, restaurants, retail stores, & shopping centers.

\*Based on a 90-5-5 Duty Cycle (Digital Mode)

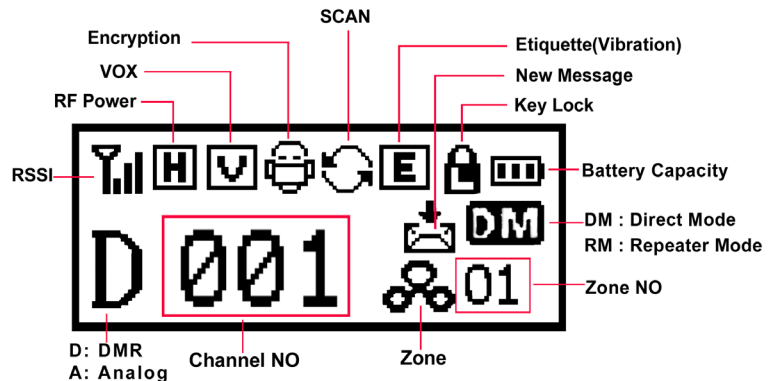


## Additional Features

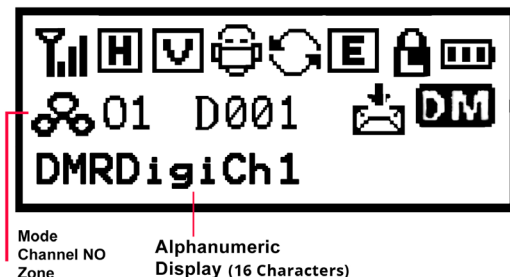
- Choice of Numeric or Alphanumeric Display
- Die-Cast Aluminum Frame
- Locking Audio Connector
- Keypad Lock
- Vibrate Function
- LED Flashlight
- Dual-Slot USB Desktop Charger

## Two Display Options

### Numeric Display



### Alphanumeric Display





## SPECIFICATIONS

### GENERAL

TPD-8424E UHF	440-470 MHz
Channel Capacity	512; 16 Zones, max 32 Ch Per Zone
Digital	DMR Tier II TDMA
Channel Spacing	25/20/12.5 kHz (Analog) 12.5 kHz (Digital) 2 Time Slots of 6.25 Each
Operating Voltage	3.7V
Battery Capacity	2200 mAh Li-Ion
Frequency Stability	± 1.0 PPM (-30° to +60° C)
Antenna Impedance	50 Ω
Dimensions (H/W/D)	3.89 x 2 x .82" (99x51x21 mm)
Weight (W/ Battery)	5.86 oz. (160 g.)
Case/Frame	Polycarbonate/Aluminum Die Cast
LCD Display	3 Lines Mono - Choice of Alphanumeric or Numeric
Battery Life (Hours)	Analog: 10.5 Hours, Digital: 14 Hours 90/5/5 duty cycle

### TRANSMITTER

RF Output Power	3 Watt Digital, 2 Watt Analog
FM Modulation	11K0F3E (12.5 kHz), 14K0F3E (20 kHz), 16K0F3E (25 kHz)
4FSK Digital Modulation	12.5 kHz Data Only: 7K60FXD, 12.5 kHz Data & Voice: 7K60FXW
Conducted/Radiated Emission	-36dBm<1GHz, -30dBm>1GHz
Modulation Limiting	±2.5 kHz (12.5 kHz), ±4.0 kHz (20 kHz), ±5.0 kHz (25 kHz)
FM Noise	40dB (12.5 kHz)
Adjacent Channel Power	60dB (12.5 kHz), 70dB (20/25 kHz)
Audio Distortion	3% maximum with 1kHz modulation
Digital Vocoder Type	AMBE3000 Vocoder Chip with AMBE+2 Voice Compression Algorithm
Digital Protocol	ETSI-TS102 361-1-2-3

### RECEIVER

Sensitivity (Analog)	.22µ V 12dB SINAD
Sensitivity (Digital)	.22µ V/BER 5%
Selectivity TIA-603 ETSI	>65dB (12.5 kHz), 70dB (20/25 kHz)
Intermodulation TIA-603 ETSI	>70dB (12.5/20/25 kHz)
S/N	40dB (12.5 kHz), 43dB (20 kHz), 45dB (25 kHz)
Audio Output Power	1.0 Watt
Audio Distortion	< 3% at rated output
Audio Response	+1, ~ -3dB From 6dB per octave de-emphasis characteristics
Spurious Emission	70dB

#### PACKAGE INCLUDES:

Radio, 2200 mAh Li-Ion battery, dual-slot desktop charger, USB cord, antenna, swivel belt clip, and user manual.

Specifications are subject to change without notice.

## ACCESSORIES



### Charger Options

Dual-Slot Desktop Charger w/USB Cord  
2200 mAh Li-Ion Battery  
Charger Connector Links



### Other Options

Molded Belt Clip  
Available in 3 Colors:  
**(Black, Blue, Orange)**

### ENVIRONMENTAL

Operating Temperature	-22° to 140° F (-30° to 60° C)
Storage Temperature	-40° to 185° F (-40° to 85° C)
ESD	IEC 61000-4-2/±8KV/±15 KV
Dust & Water Protection	IP54 Standard

Approvals	FCC	Industry Canada
TPD-8424E	VSOTPD-8424	9680A-TPD-8424



Manufactured to ISO-9002:2000 quality standard.

NOTE: Some features indicated by specifications listed are prohibited by FCC rule and are not available on models sold in the U.S. or its territories.

CavComInc.com



Contact Us Online Or Let's Talk!

866-547-4988

**CAVCOM**

cavcominc.com

866-547-4988 1872 Industries Lane, Walker, MN 56484